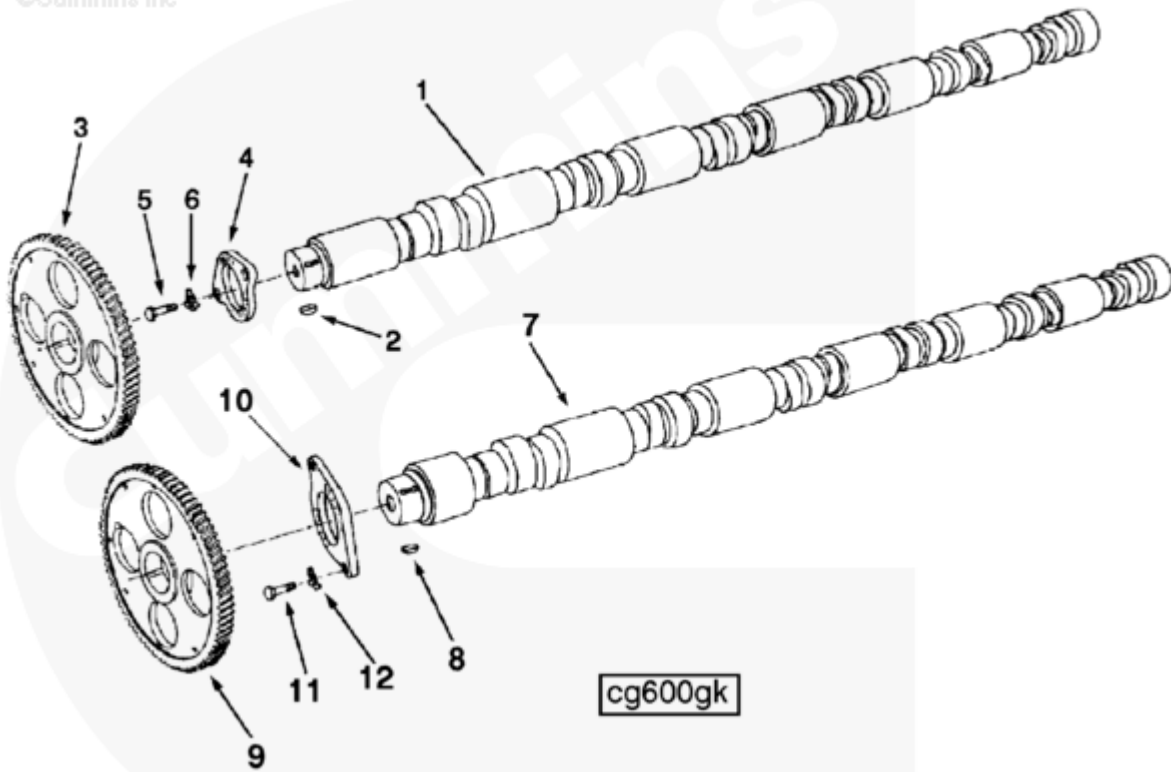




## Parts Catalog - Option Detail

Electronic Parts Catalog - Option Detail				
Option	Group	Graphic	Film Card	Date
PP2404-06	01.07	cg600gk	K38	01-FEB-08
<b>Engines</b>	GTA38, K38, KTA38GC CM558, QSK38 CM2150 K106, QSK38 CM2150 MCRS, QSK38 CM850 MCRS			

©Cummins Inc



[SMALL](#) | [MEDIUM](#) | [LARGE](#)

Cart	Ref No	Part Number	Part Description	Required	Remarks
<a href="#">View My Cart</a>					
		<a href="#">PP2404-06</a>	Camshaft		<a href="#">Performance parts...(More)</a>
					Certified Model Name: KTA38-
					M2 timing gear code: HE
					CPL: 2404
					Certified By: EPA
					AFC: Yes ASA: No
					EFC: No ETC: No

					Manifold Type: Dry
					Engine Aspiration:
					Aftercooled
					Engine Control System:
					Centry
					Application: Marine
					Power Turbine: N/A
					Design Phase: M2
					Power Rating: Commercial
					Certification Level: Nox
					requirements of the
					International maritime
					organization (imo) marpol
					73/78 annex vi regulation 13.
					Parts included: Gallery
					cooled pistons dry pulse
					water shielded exhaust
					manifolds water cooled flex-
					ex HX80 turbochargers dual
					stepped timing control
					reduced drain flow premium k-
					8 hole injectors premium dual
					ni-resist pistons (gallery).
<input type="checkbox"/>	1	<a href="#">3629170</a>	Camshaft	1	
<input type="checkbox"/>	2	<a href="#">S 302</a>	Plain Woodruff Key	1	
<input type="checkbox"/>	3	<a href="#">206747</a>	Camshaft Gear	1	
<input type="checkbox"/>	4	<a href="#">3007971</a>	Camshaft Thrust Bearing	1	
<input type="checkbox"/>	5	<a href="#">S 112</a>	Hexagon Head Cap Screw	2	3/8 - 16 X 1 in.
<input type="checkbox"/>	6	<a href="#">68908</a>	Lock Plate	2	

<input type="checkbox"/>	7	<a href="#">3629171</a>	Camshaft	1	
<input type="checkbox"/>	8	<a href="#">S 302</a>	Plain Woodruff Key		
<input type="checkbox"/>	9	<a href="#">4953321</a>	Camshaft Gear	1	
<input type="checkbox"/>	10	<a href="#">3007971</a>	Camshaft Thrust Bearing	1	
<input type="checkbox"/>	11	<a href="#">S 112</a>	Hexagon Head Cap Screw	2	3/8 - 16 X 1 in.
<input type="checkbox"/>	12	<a href="#">68908</a>	Lock Plate	2	

© 2019 Cummins Inc., Box 3005, Columbus, IN 47202-3005 U.S.A.  
Terms of Use and Disclaimers | Recommended System Requirements  
Need Assistance? Please click on the Contact Us button in the top right corner of any page.